

SCHEDULE 5B (01) REGULATIONS FOR WORKING TRIALS (CLASSIC) (1989) (Effective 01.04.2021)

ContentsPage

1. Licensing and Holding of Trials
2. Management of Trials
3. Judging at Trials
4. Schedule and Description of Exercises for Working Trials

1. LICENSING AND HOLDING OF TRIALS

1.1 Licensing and Show Regulations

The Regulations relating to licensing and to all other matters to do with Shows as set out in Schedule 3 (Championship Shows) and Schedule 4 (Non-Championship Shows) of the Constitution of the Kennel Union of Southern Africa (KUSA) shall apply to Working Trials (Classic) so far as they can be relevant to Working Trials (Classic) and so far as they do not conflict with the specific terms of this Schedule 5B (1).

1.2 Scope of Licence

The licence may include any one or more of the following grades in any one or more of the stated classes of Working Trials (Classic), namely:

- 1.2.1.1 Companion Dog (Beginners)
- 1.2.1.2 Companion Dog
- 1.2.1.3 Tracker Dog I
- 1.2.1.4 Tracker Dog II
- 1.2.1.5 Tracker Dog III
- 1.2.1.6 Police Dog
- 1.2.1.7 Veterans Trial

A Club entitled to hold a Championship Show may hold a Championship Working Trials (Classic) not more than once in any calendar year under the same licence as a Championship Show or under the same licence as a Championship Obedience Show or under a separate licence.

An Affiliated Club may not hold a Qualifying Show before the fourth anniversary of the date of the Federal Council meeting granting such Club affiliation to the Kennel Union of Southern Africa.

The provisions of Schedule 4A Regulations for Qualifying Shows shall apply to Qualifying Shows Working Trials (Classic) Classes, save and except that there shall be no minimum number of dogs present and exhibited *mutatis mutandis*.

1.3 Qualifying Certificates

- 1.3.1 Dogs are allowed to qualify for Beginner CD, CD, TDI and/or TDII at Non-Championship Shows. Only one qualification for Beginner CD, CD, TDI and TDII at Non-Championship Shows may be entered on the Dogs Record Card and no Qualifying certificate will be issued.
- 1.3.2 To each dog that scores an aggregate of 80% or more marks in a Grade at a Championship Trial the Judge will award a certificate to the effect that the dog is qualified in that Grade. (Each Grade consists of a number of groups of exercises. The minimum qualifying mark in each group is 70% or, as otherwise stated. The total marks for the Grade or Trial must be 80% to qualify).
- 1.3.3 If the dog's aggregate score in the Trial is 90%, or more marks, the qualification will be graded "Excellent".
- 1.3.4 The award of the qualifying certificate (graded "Excellent" or otherwise) is subject to the dog having scored any minimum qualifying mark or more for any exercise or group of exercises as laid down in the Schedule of Exercises.
- 1.3.5 The owner of any dog which has been awarded a Qualifying Certificate may use the abbreviation of the most senior trial achieved as an appendage to a dog's registered name. If such a Qualifying Certificate is graded "Excellent", the abbreviation "Ex" may be added. For the purpose of this Regulation, Tracker Dog III and Police Dog are considered to be equally senior and both may be used as appendages where applicable. In order to have qualifications placed on any registration records, a copy of the relevant Qualifying Certificate must be submitted

- 1.3.6 The abbreviations to be used are:
- | | |
|-----------------|---------|
| Companion Dog | CD |
| Tracker Dog 1 | TDI |
| Tracker Dog II | TDII |
| Tracker Dog III | TDIII |
| Police Dog | PD |
| Veterans | Veteran |

1.4 **Champions**

- 1.4.1 The title Tracker Dog Champion shall be awarded to a dog that has been awarded three (3) qualifying certificates with at least one (1) graded excellent, each by a different Judge, in the grade Tracker Dog III.
- 1.4.2 The title Police Dog Champion shall be awarded to a dog that has been awarded three (3) qualifying certificates, each by a different Judge, in the grade Police Dog.
- 1.4.3 The title Working Dog Champion shall be awarded to a dog that has been awarded the following titles: Tracker Dog Champion and Police Dog Champion.
- 1.4.4 A dog awarded a Champion's title as described in foregoing sub-paragraphs 1.4.1, 1.4.2 and 1.4.3 shall receive a certificate to this effect from the Kennel Union of Southern Africa.
- 1.4.5 The title Tracker Dog Grand Champion shall be awarded to a dog that has been awarded fifteen (15) Tracker Dog qualifying certificates, providing that at least three (3) were gained under different judges. There is no maximum number required under any one judge. No dog may become a Grand Champion unless it has received the title Tracker Dog Champion.
- 1.4.6 The title Police Dog Grand Champion shall be awarded to a dog that has been awarded nine (9) Police Dog qualifying certificates. This is providing that at least three (3) are gained under different judges. There is no maximum number required under any one judge. No dog may become a Grand Champion unless it has received the title Police Dog Champion.
- 1.4.7 The title Working Dog Grand Champion shall be awarded to a dog that has been awarded both the following titles: Tracker Dog Grand Champion and Police Dog Grand Champion.
- 1.4.8 A dog awarded a Grand Champion's title as described in foregoing sub-paragraphs 1.4.5, 1.4.6 and 1.4.7 shall receive a certificate to this effect from the Kennel Union of Southern Africa.

1.5 **Registering and Eligibility of Dogs for Competition**

- 1.5.1 A dog which is not registered with the Kennel Union of Southern Africa in either Breed Register, Breed Appendix Register or in the Dogsport Record shall not be entered for or compete in any trial. No Dog's Qualifying Record Card shall be issued or be valid for any dog not so registered. Any alteration whatsoever to the dog's Qualifying Card may only be made with the authority of the issuing officer or Secretary of the Provincial Council. Any alterations must be signed and the authority of the signatory stated.
- 1.5.2 No dog can be entered in a trial "Registration Applied For" (R.A.F.), or "Transfer Applied For" (T.A.F.) and the terms of Schedule 3, Regulation 7 apply, where applicable.
- 1.5.3 No dog may compete in a Grade, except Beginners Companion Dog and Companion Dog, unless it has been awarded a Qualifying Certificate in the preceding grade as follows (except as described in 1.3.1):
- | | | |
|---------|------------------------|--------------------------------|
| 1.5.3.1 | Qualified | May Compete In |
| | Beginner Companion Dog | Companion Dog |
| | Companion Dog | Tracker Dog I |
| | Tracker Dog I | Tracker Dog II |
| | Tracker Dog II | Tracker Dog III and Police Dog |
- 1.5.4 A dog having become eligible to compete in a Grade may continue to compete in that Grade until it becomes ineligible as stated in the Schedule and Description of Exercises or until it is suspended or disqualified from competition.
- 1.5.5 At the conclusion of a class it is the responsibility of the Judge of that class to enter in each dog's Record Card particulars of the show with details of marks scored, first places won and certificates awarded when such information is relevant to the dog's eligibility to compete in a Working Trials (Classic) Class or to the dog's achieving Championship status.
- 1.5.6 Whenever a dog is awarded a Qualifying Certificate in a Trial, it is the responsibility of the Judge awarding the certificate to enter the details of the qualification in the dog's Qualifying Record Card.
- 1.5.7 It is permissible to enter a dog for competition in a Trial in anticipation of the dog qualifying to compete in that Trial at a previous show, provided that the entry is made in accordance with the rules of the Club holding the Trials and that the dog qualifies prior to the day of the trial.

1.6 Qualification and Training of Judges

- 1.6.1. All persons wishing to become a Learner Judge must be at least eighteen (18) years of age and should make application in writing to the Obedience and Working Trial sub-committee of the Provincial area in which they normally reside (where there is no Provincial Council, e.g. Namibia - application to be made direct to KUSA).
- 1.6.1.1 Before a Learner Judge can accept any CD judging appointment he must:
 1. Pass a test on the Rules and Regulations. If passed he will be issued with a Judges Record Card. The sub-committee will then allocate the Learner Judge to a particular Judge (maximum of 2 (two) Learner Judges per class).
 2. Undertake and qualify 2 (two) Learner Judging appointments at Championship or Non-Championship Shows under a qualified TDII Judge, who has undertaken a minimum of (4) four TDII Judging appointments at Non-Championship or Championship shows and is approved by KUSA to pass/fail Learner Judges or, a Licensed TDIII Judge, or a PD Judge.
 3. A Learner Judge is to undertake their first solo appointment within a period of 2 years otherwise they will be required to redo the Learner Judges course.
- 1.6.1.2 For the purpose of this paragraph the term "Learner Judge" means a person not yet qualified to judge at a particular Trial and who accompanies the appointed Judge at a Trial and marks the competitors in the Trial as if he were the appointed Judge. At the completion of each exercise by a competitor the Learner Judge will inform the appointed Judge of his reasons for any marks he deducted. A Learner Judge's marks will have no bearing on the results of, or the awards made at the Trial and are not to be made known to the competitors. Not more than two (2) persons may be Learner Judges in any one (1) Grade up to Tracker Dog II; Tracker Dog III and Police Dog will be restricted to one (1) Learner Judge at one time.
- 1.6.1.3 Learner Judges from Companion Dog to Tracker Dog II at a Championship or Non-Championship Shows, will be passed/failed on the day on which they are Learner Judging, PROVIDED, the appointed Judge is a qualified Tracker Dog II Judge, who has undertaken a minimum of (4) four TDII judging appointments at Non-Championship or Championship shows and is approved by KUSA to pass/fail Learner Judges; or, a licensed Tracker Dog III or Police Dog Judge and there are a minimum of 2 (two) dogs competing throughout the grade. The Learner Judges record card, for CD, TDI or TDII, must be signed by the official judge on the day if passed; however, whether passed or failed, the official Judge is to submit a brief report on the performance of the Learner Judge to the Judges Department KUSA within one (1) month of the date of the show for their status as a judge to be updated.
- 1.6.1.3.1 Learner Judges for TD111 at Non-Championship Shows, may only undertake an appointment under a licensed Tracker Dog III or Police Dog Judge and for PD at a Non-Championship Show under a licensed Police Dog Judge
- 1.6.1.4 Learner Judge's for TDIII and PD will be required to write reports which must be forwarded to the officiating Judge who will examine the Report as to whether it is acceptable as a true reflection of the test, sign the Report and return it to the Learner Judge who will send it KUSA within THREE (3) months of the date of the Show.
- 1.6.1.5 Two (2) Reports (at two separate shows) for TDIII or PD will be submitted to KUSA to pass on to the panel of scrutineers.
- 1.6.1.5.1 The KUSA panel of scrutineers shall consist of licensed judges, nominated by the Provincial Councils. When vacancies occur in the panel, the KUSA Judge's department shall request through the National Working Trials Sub Committee that replacements be made.
- 1.6.1.6 If accepted, the Report will be passed.
- 1.6.1.7 In the case of doubt, a Senior Judge appointed by KUSA will contact the officiating Judge to discuss any contentious points.
- 1.6.1.8 In such cases the Learner Judge will be asked to present himself to the Senior Judge appointed by KUSA who will then discuss with him the doubtful points in the Report.
- 1.6.1.9 The results of this meeting will decide whether the Report is passed or failed. The Report need not be sent to the show-holding Club.
- 1.6.1.10 The Learner Judge must supply track patterns and articles for the Track and Search exercises, which the presiding Judge can either accept or reject for use in the respective test.
- 1.6.1.11 No person may judge a Grade until he has been a Learner Judge and qualified twice for that grade at Championship or Non-Championship shows.
 - 1.6.1.11.1 No Learner Judge may do a learner judging appointment for the next higher grade until he has undertaken the following at either a Championship or Non-Championship Show:
 - a) Qualified Two (2) CD Learner Judging appointments and undertaken one (1) CD Judging appointment. The Show Secretary to sign section on Judges Card to the effect that the Judge did officiate on the day.
 - b) Qualified Two (2) TDI Learner Judging appointments and undertaken one (1) TDI Judging appointment. The show Secretary to sign section on Judges Card to the effect that the Judge did officiate on the day.
 - c) Qualified Two (2) TDII Learner Judging appointments and undertaken one (1) TDII Judging appointment. The show Secretary to sign section on Judges Card to the effect that the Judge

- did officiate on the day.
- d) When a TDII Judge has undertaken (4) four TDII Judging Appointments at Championship or Non-Championship Shows and the Judges Card has been signed by the Show Secretary at each of these Shows, they must send a copy of their Record Card to the Provincial Council wherein they reside (where there is no Provincial Council, e.g. Namibia directly to KUSA). The Provincial Council will notify KUSA that the Judge is now eligible to pass/fail LEARNER JUDGES. KUSA will advise the Convenor of the National Working Trials Sub-Committee to this effect
- 1.6.1.12. No person may be a learner judge for a grade until he has qualified to judge the next lower grade at a Championship or Non-Championship show except for Companion Dog Trial.
- 1.6.1.13 Solely for the purpose of progressive qualification for judging appointments and in no other context, the Police Dog grade shall be regarded as a higher grade than the Tracker Dog grade III.
- 1.6.2. Learner Judges qualifications for CD, TD1 and TD11 become effective when passed by the appointed Judge and acknowledged by KUSA.
- 1.6.2.1 All Reports in respect of TDIII and PD become effective when approved by the Executive Committee.
- 1.6.2.2 No report in Tracker Dog III and Police Dog by a Learner Judge shall be considered unless a minimum of two (2) dogs competed throughout the Grade and are reported on in detail. If more than two (2) dogs compete the report must contain detailed comment on the performance of at least three (3) competing dogs i.e. the dogs scoring highest and next highest marks as well as the dog scoring the lowest marks in addition to general comment on the performance of all other dogs competing in the Grade.
- 1.6.2.3 In the event of any judge (excluding Senior Licensed PD & TD3) not carrying out a judging appointment for a period of three (3) years or more they must undertake a Learner Judges appointment under a licensed Judge for the highest grade they are qualified to judge. The presiding Judge will advise KUSA as to whether or not they should be reinstated.
- 1.6.2.3.1 In the event of licensed PD & TD3 judges not carrying out a judging appointment for a period of three (3) years a (1) questionnaire made up of questions pertaining to Schedule 3 and Schedule 5B(1) be completed and submitted to the local governing body. The questionnaire must be updated from time to time, to ensure all new rules and regulations are included.
- 1.6.3 When the last TDIII Dog Trial Report is approved the Learner Judge will send his Record Card to KUSA for the issue of his Tracker Dog Judge's Licence, or continue on to PD whereby the following will apply. When the last Police Dog Trial Report is approved the Judge will send his Record Card to KUSA for the issue of his Working Trials (Classic) Judge's Licence.
- 1.6.4. No judge shall accept an appointment to judge any trial for which his Record Card has not been endorsed. CD, TDI, and TDII Learner Judges are responsible for getting their Judges Record Card signed by the show secretary on the day that they undertake their first official judging appointment for the grade they have qualified to judge. A copy of their signed Record Card must be sent to the Judges Department KUSA within one (1) month of the date of the show for their status as a judge to be upgraded
- 1.6.4.1 All locally domiciled Judges shall be members in good standing of the Kennel Union and shall be over the age of eighteen (18) years at the time when formal studies or activities towards a judging qualification commence, and /or any judging is undertaken.
- 1.6.5 Appointments of Judges normally resident outside the area of jurisdiction of the Kennel Union of Southern Africa will be considered by the Federal Council in the light of the Judge's qualifications recognised by the appropriate canine authority in the Judge's country of residence and in terms of Article 25.4 of the Constitution.
- 1.6.6 **Working Trial Record Cards**
- 1.6.6.1 All dogs must be registered or recorded with KUSA before a card is issued. Proof of registration or recording to be given to the person issuing the card.
- 1.6.6.2 All competitors from CD upwards must have Record Cards.
- 1.6.6.3 The cards are to be issued by the Provincial Councils to Affiliated Clubs. Each card must bear a Provincial Council alpha indicator and be numbered and recorded in order to identify the issuing Club.
- 1.6.6.4 Affiliated Clubs are restricted to issuing cards to their own members.
- 1.6.6.5 Persons who are not members of an Affiliated Club should obtain their Record Cards from the Provincial Council of the Province in which they normally reside or when there is no Provincial Council, direct from KUSA.
- 1.6.6.6 All Provincial Sub-Committees are to keep records of cards issued to Clubs and to non-club persons.
- 1.6.6.7 All Affiliated Clubs to keep records of cards issued to members.

2. MANAGEMENT OF TRIALS

2.1

2.1.1 **Trials Manager**

The management of a Trial shall be entrusted to the Trials Manager who shall be a member in good standing of the Kennel Union and appointed by the committee of the club holding the Trial.

2.1.2 **Disputes**

Any disputed matter requiring a decision during the period of the Show shall be decided by the Trials Manager and the Judge(s). However, the control of all matters connected with the dogs during competition shall rest with the Judge(s) of the Grade, but the Manager, if required, may be called upon for assistance.

2.1.3 Complaints

Complaints lodged by competitors will be dealt with in accordance with the KUSA Regulations.

2.1.4 Other Matters

Any matter not provided for in the KUSA Regulations for Working Dog Trials shall be decided by a majority of Manager and the Judge(s) at the Trials and their decision shall be final. In the event of a majority not being obtained, the most senior licensed Judge shall have the final decision.

2.1.5 Misbehaviour of Dogs at a Show

2.1.5.1 Physical disciplining of a dog or serious uncontrollable behaviour of a dog at a Trial may be penalised at the discretion of the Trial Manager by excluding the dog and/or handler from further competition at the Show and/or by ordering the exhibitor of the dog to forfeit any awards, positions or qualifications gained at the Show. Any action taken in terms of this Regulation shall be reported to KUSA within SEVEN (7) days of the close of the Show.

2.1.5.2 At the assailant's discretion, if he is of the opinion that a dog is uncontrollable, he may stop and appeal to that Judge that the dog be disqualified from that part of the exercise.

2.2 Number of Dogs to be Judged

2.2.1 No Judge shall be required to test more than a total of fifteen (15) dogs in Companion Dog grade or more than a total of ten 10 dogs in any other grades, in one (1) day. The committee of the Club holding the Trial shall have the power to substitute a lower maximum number of dogs to be tested but not less than one half of these numbers if, in its opinion, prevailing circumstances at the Trial makes it impossible for a Judge to test the stated maximum number of dogs.

2.2.2 If the number of entries for one (1) Judge is excessive the said committee shall appoint an extra Judge or Judges who are approved by the advertised Judge and whose name(s) shall be communicated to KUSA for approval. The Club shall allocate competitors, as equally as possible, among the Judges by draw. It is the responsibility of the Show holding club committee to allocate formally the competitors at least one (1) week prior to the Show. Following the allocation, the competitors must be notified by the Show holding Club:

- a) that the judging is being split, and
- b) the name(s) of the Judge(s) who will officiate.

This should be done as soon as possible, giving the competitors time to confirm acceptance before the Show.

2.2.3 The Show committee may, if it so desires, allocate exercises to be judged by the individual Judges (e.g. one (1) Judge does all the Tracking, another all the Agility etc.) . Any competitor qualifying under this ruling will have his/her card and certificates signed by the advertised Judge.

2.3 Handler of Dog

Either the owner, or deputy, may handle the dog, but it must be one or the other. Once the dogs have commenced work, an owner must not interfere with his dog if he has deputised another person to handle it.

2.4 No dog may compete in a Trial unless it is over fourteen (14) months old on the first day of the Trial. No bitch in season may compete in any Trial. Spayed bitches and castrated dogs may compete.

2.5 Conditions

It is the responsibility of the Trials Manager and of the Judge(s) to ensure that dogs competing in a Grade compete under the same conditions as far as this is practical.

2.6 Weather

It shall be at the sole discretion of the Judge(s) whether or not competition in any grade should be interrupted on account of inclement weather. Cancellation of a Trial or of any part of a Trial shall be at the discretion of the Trials Manager in consultation with the Judge(s).

2.7 Starting Time

All competitors shall be informed of the starting time for their Grade and competitors and dogs in each Grade shall be present at site of a Trial at least thirty (30) minutes before that time. The Judge(s) shall have discretion to postpone the starting time for any Grade and the draw for order of competition by not more than fifteen (15) minutes. Any competitor who is not present at the end of such postponement shall be regarded as withdrawn from the Trial and shall not be allowed to compete.

2.8 Order of Competition

The order of competition (running order) shall be determined by a draw among the competitors in each Grade immediately before the first exercise of that Grade is due to begin. Any competitor who is not present at the draw shall not be permitted to compete.

2.9 **Tracklaying**

The tracklayer will, as far as possible, be a stranger to the dog for which he lays a track. No track shall be laid by a tracklayer who is a member of the same household as the owner or the handler of the dog. The tracklayer will drop articles on his track according to the Judge's instructions. Articles will not be hidden or buried. On all tracks the last (or only) article is to be dropped at the end of the track. The age of the track is to be calculated from the time that the tracklayer begins the laying of the track. Handlers will stay away from the tracking area until the time approaches for each to begin his track.

2.10 **Protective Clothing and Weapons**

In all the man-work exercises it is advisable the assailant wears suitable protective clothing. The protective material is to be as inconspicuous as possible. No article of protective clothing is to be used as a decoy or a distraction for the dog. All the weapons used against dogs will be limited to light canes and plastic or rubber hoses with a maximum diameter of approximately 2cm. "Weapons" carried for the search exercise will have a minimum length of approximately 15cm and a minimum thickness of approximately 1 cm.

2.11 **Provision of Articles**

The Judge(s) is responsible for the provision of the articles for use on tracks and in searches and is responsible for ensuring that those articles conform with these Regulations. Articles will be as nearly as possible the same for each dog competing in a Grade. Visiting Judges from overseas may seek the aid of the Show-holding Club in the provision of articles. Articles may not be GLASS, METAL OR FOOD. However, in the Search and Identify exercise, metal may be used provided that the article does not consist predominantly of metal.

The Club holding the Trial is responsible for providing all other objects and equipment to be used in the Trial and it is the responsibility of the Trial Manager to ensure that such objects and equipment conform with these Regulations. The Trial Manager is also responsible for the demarcation of any search areas, tracking areas and any other demarcated areas as outlined in these Regulations.

2.12 **Articles and Equipment - Size and Description**

The dimensions and nature of articles and equipment used in these Trials shall be as described in these Regulations.

2.12.1 If dimension or nature is described in the Schedule and Description of Exercises, those details shall have the same effect as if incorporated in this Regulation and shall take precedence over details in this Regulation in the event of conflict or ambiguity.

2.12.2 Dumbbells. The size and mass of the dumbbell may vary with the size of the dog, and may be made of any solid material/s (other than food). In form it shall consist of two (2) end pieces roughly cubic, ball or disc shaped with a thinner connecting shaft.

2.12.3 **The Clear Jump**

Made of metal, wood or plastic and may include unprepared timber and brushwood. The portion to be jumped must have heights as follows:

CD 70cm, TDI 80cm, TDII 80cm, PD 80cm.

There shall be a minimum clear width of 1.20m and a maximum thickness of 5cm at the top. The top must consist of a rigid bar easily dislodged if touched by a jumping dog. The body of the jump may be open or closed, or partly so.

2.12.4 **The Long Jump**

The Long Jump shall be made of metal, wood or plastic and may include unprepared timber and brushwood.

The jump shall have a maximum height of 30cm and a minimum clear width of 1.20m. The front and back parts of the Jump (in the direction of the dog's jump) shall be visible to the dog and so made as to move if struck by more than a glancing blow by a jumping dog. The Jump shall be in length for various classes as follows:

CD 1.4m, TDI 2m, TDII 2m, PD 2m.

2.12.5 **"A" Frame**

The "A" Frame consists of two (2) board faces each with a height of 1.9m and a width of 1.2 - 1.5m connected (hinged) at the top. These measurements are suitable for dogs measuring Large but must be adjusted as per Annexure A and B for dogs measuring into the Small and Medium categories. At ground level these boards are separated by such a distance that the vertical heights for each class are as follows:

CD 1.60m, TDI 1.80m, TDII 1.80m, PD 1.80m.

Each board of the "A" Frame is fitted with three (3) climbing ledges (fillets) of 2.4 x 4.8cm. The "A" Frame shall have a non-slip surface

2.12.6 The dimensions stated in sub-paragraphs 2.12.3, 2.12.4 and 2.12.5 may be varied in the Companion Dog Grade and in all Tracker Dog Grades in the category Working Trials (Classic) only as follows:

Dog's height at Withers	The Clear Jump	The Long Jump	"A" Frame Height
Companion Dog			
Small: dogs up to and including 35 cm	30cm	50cm	1.0m

Medium: Over 35cm up to and including 45cm	40cm	1.0m	1.5m
Large: Dogs over 45cm	70cm	1.4m	1.6m
Tracker Dog I and II, Police Dog			
Small: Dogs up to and including 35cm	35cm	60cm	1m
Medium: Over 35cm up to and including 45cm	45cm	1.2 m	1.5m
Large: dogs over 45cm	80cm	2.0m	1.8m

2.12.7 Separate similar search articles are to be used for each competitor in any one Grade. Articles should not be smaller than 3cm x 2cm x 1cm with consideration to the terrain being used.

2.12.8 Articles for use on tracks may be of any substance which is not harmful to a dog but may not be glass, metal or food. The articles are to be same quality and type for each dog in any Grade and shall not be so coloured as to be strikingly at variance with the terrain to be used for the track. Article size NOT TO BE smaller than 10cm x 3cm x 1cm.

The article(s) shall be carried unprotected on the person of the tracklayer for a reasonable period of time before being placed on the track (min. period five (5) minutes) or as specifically prescribed in individual Trials. Articles shall be placed as accurately as possible in the same position on each track in a Grade.

2.13 **Competition by Officials at Shows**

2.13.1 A Judge at a Show may not enter or handle a dog in the same discipline (Breed, Obedience, Working Trials, FCI-IGP, Dog Jumping and Agility, Carting etc.) as that in which he is officiating. A Judge at a Show may not handle a dog in any Discipline on the day(s) that he is officiating.

This restriction does not apply in respect of another show held on the same day under a different licence, OR, if the show is split over two days/weekends under the same licence.

2.13.2 A KUSA Representative may not enter, exhibit or handle a dog registered in his name at any KUSA licensed event held at the same venue on the day that he is officiating, nor in the same Discipline held under the same licence on any day.

2.13.3 A KUSA Representative may enter the same show if

1. The show is held over two days/two weekends under the same licence
2. The Judge is not judging on the day he/she wishes to compete.

2.14 **Catalogue Numbers**

Handlers must display catalogue or entry numbers prominently when competing.

3. **JUDGING AT TRIALS**

3.1 **Knowledge of Regulations**

All handlers are expected to have a thorough knowledge of the Regulations covering the Grade in which they are competing.

3.2 **Dogs Tested Separately**

Each competing dog will be tested separately, except where the Description of Exercises specifically provides otherwise.

3.3 **Collars**

The Judge(s) will ensure that during the exercises each dog under his jurisdiction wears only a plain training collar. No other collar will be permitted except during exercises involving an assailant when a plain leather collar may be used. Tracking harness may be used during tracking exercises. Nothing will be attached to collars during exercises except leads when required. No spiked collars to be used. Tick collars will be allowed.

3.4 **Working Side**

In all exercises the left side of the handler will be regarded as the working side. If the handler or dog suffers from a physical disability the handler may work the dog on the right hand side provided he notifies the Judge before commencement of the judging at the Trial. In executing turns at the halt or on the move, the dog is not to be penalised for turning, in a contrary direction to the handler. In the "finish" the dog may proceed to the "working side" direct or around the handler.

3.5 **Practice**

Judge shall allow competitors to have practice jumps prior to the Agility exercises but no other practice shall be allowed in areas set aside for exercises.

3.6 **Equal Scores**

3.6.1 In the case of a tie, when two (2) or more dogs have equal scores, those dogs shall be tested again

- immediately by having them perform SEPARATELY one (1) or more of the exercises of the Judge's choice in that Trial, and without any change to the existing scores, the following criteria are to be observed :
- 3.6.1.1 In the case of an equal score for first placed dogs, a run off will be undertaken in accordance with this Regulation. On completion of the run-off the record card will be completed as follows:
- 3.6.1.1.1 The dog that wins the run-off will be the winner and the Record Card will be endorsed as such.
- 3.6.1.1.2 The dog that came second in the run-off will have the qualifying mark entered on its record card (but shall not share first place).
- 3.6.2 All dogs who achieve qualifying marks will likewise have their Record Cards endorsed in accordance with these Regulations.
- 3.7 **Placing of Unqualified Dogs**
All dogs which qualify in a Grade at a Championship Trial shall be placed in that Grade in precedence to any dog which has not qualified, although the unqualified dog may have scored a higher aggregate of marks in the Grade.
- 3.8 **Abnormal Circumstances**
If a dog's performance of an exercise is in the opinion of the Judge prejudiced by some unforeseen abnormal circumstances the Judge may at his discretion test that dog again in that particular exercise.
- 3.9 **Handler's Commands**
The Judge will allow a handler to use spoken, whistled or visual signals to command his dog. The dog's name followed immediately by a single visual signal and a simultaneous spoken or whistle signal shall be regarded as one (1) command. The use of the dog's name is not compulsory.
Except in "Down Stay" exercises and except where otherwise stated in the Schedules and Descriptions of Exercises, extra commands and encouragement will not be penalised when used in the natural course of working. Judges may penalise at their discretion commands and encouragement which appear to them to be excessive in the prevailing conditions.
- 3.10 **Working Conditions**
Although implicit obedience to all orders is necessary, dogs and handlers must operate in as natural a manner as possible as if actually working on patrol or other duty, except as expressly required otherwise.
To maintain both handler and public interest, Judges must endeavour to make the exercises as natural and as near as possible to the actual work being simulated.
- 3.11 **Dog's Qualifying Record Cards**
No Judge shall permit a dog to compete in any Trial which he is judging unless the handler produces, before the start of the Trial, his dog's qualifying Record Card showing that the dog is eligible to compete in that Trial and Grade.
The Record Card shall be retained by the Judge until the end of the competition and will return the Cards to the competitors after the results have been announced.
- 3.12 **Features of Judging**
- 3.12.1 The purpose of these exercises is to demonstrate the usefulness of the dog as the companion of man.
- 3.12.2 The responsibility of making the class interesting to the spectators and worthwhile to the handlers is left to the Judge.
- 3.12.3 Dogs must be judged on their ability to perform the laid down exercises and not upon their breed qualities.
- 3.12.4 Standardised judging is of paramount importance. Judges may not introduce their own variations into the exercises but must see that each handler and dog executes the various exercises exactly as described. A handler who is familiar with the standard should be able to enter the ring without having to enquire how the Judge wishes to have the exercise performed. Judges must adhere strictly to the Regulations and standards. In the event of any Club appointing a Judge normally resident outside the area of jurisdiction of KUSA, it shall be the responsibility of the Trial Manager to ensure that he is made familiar with and applies the terms, Regulations and standards of this Schedule.
- 3.13 **Interference with Competitors**
The Judge of a Trial must remove from competition any bitch in season and any dog which behaves in an uncontrollable manner, any handler who interferes wilfully with another competitor or his dog, and may expel from competition any dog which he considers unfit to compete, or any bitch which appears so attractive to males as to be a disturbing element.
- 3.14 **Withdrawal from Competition**
The owner or his deputy entering a dog in a Trial does so at his own risk and must compete in all the exercises of each Trial in which it is entered, unless expelled by the Judge or excused by the Judge and Trial Manager.
- 3.15 **Disciplining of Dogs**
From the time a Judge takes control of the assembled competitors to begin judging a Trial to the point at which

the Judge dismisses the competitors after the results of the Trial have been announced, no handler in that class shall physically discipline a dog. In the event of such physical disciplining occurring, or in the event of serious uncontrollable behaviour of a dog in the Trial, the Judge will severely penalise the dog concerned by deducting points from the total score of the dog. In addition, the Judge may, at his discretion, exclude the dog from further competition in the Trial.

- 3.16 **Rewarding Dogs**
The carrying of food by the handler during an exercise is forbidden. However, words of praise are permitted between exercises after the Judge or Steward has said "End of Exercise".
- 3.17 **Working Requirements**
The Judge is required to observe and score according to the following:
- 3.17.1 Enjoyment and willingness should be taken into consideration over a better working dog which shows fear and dislike of his work.
- 3.17.2 Gentleness and smoothness of handling is to be desired.
- 3.17.3 Commands and/or signals during "Stay" exercises are not allowed.
- 3.17.4 In the "Finish" the dog may proceed to the "Working Side" direct or around the handler.
- 3.17.5 Dogs must not anticipate commands.
- 3.17.6 Competitors are not allowed to be in sight during:
- 3.17.6.1 Placement of articles for Elementary search (Beginners CD & CD), Controlled Search TDI – PD & Veterans
- 3.17.6.2 Placement of the Search & Locate article TD3 and the Hidden Person PD
- 3.17.6.3 Laying of tracks TDI – PD & Veterans
- 3.17.7 Competitors are not allowed to watch the exercises being executed in 3.17.6.1; 3.17.6.2 3.17.6.3 above, unless they have completed the exercises themselves.
- 3.17.8 Competitors caught infringing the above will be disqualified from further competition.
- 3.18 **Graduated Marking**
In all exercises the points awarded must be graduated.
- 3.19 **Marking of Competitor**
As each dog completes a group or section his score for the exercise must be entered by the Judge on his score sheet and that score must be made known to the handler. Scores may not subsequently be changed except to correct arithmetical errors. The scores awarded should also be made known to the spectators as soon as is practically possible.
- 3.20 **Announcement of Results**
After the scores are totalled and winners decided, before announcing the placings, the Judge will inform the public as to the total number of points required for a perfect score. He shall then announce the dogs which have qualified in the Trial, including any qualifications for award of "Excellent", and their scores as well as the scores of other competitors placed.
- 3.21 **Adhering to Regulations**
No Judge shall require any dog or handler to do anything nor penalise a dog or handler for failing to do anything which is not required by these Regulations or in the Schedule and Description of Exercises.
- 3.22 **Judge's Orders**
Judge's/Steward's orders must be clear to enable everyone to follow the judging.
- 3.23 **Events outside the Regulations**
In the event of circumstances arising not covered by KUSA Rules and Regulations, the Judge of the Trial will have discretionary powers to make a ruling subject to confirmation by KUSA. In such instances the Judge must submit a report setting out all details to KUSA within fourteen (14) days of the Show.

4. SCHEDULE AND DESCRIPTION OF EXERCISES FOR WORKING TRIALS

BEGINNER COMPANION DOG

- 4.1 **Beginner Companion Dog**
- | | |
|--------------------------|----|
| Maximum Marks | 80 |
| Minimum qualifying marks | 64 |

Eligibility

It is not a requirement to start at this level; a handler may proceed directly to Companion Dog Stake. Dogs that have qualified three (3) times in this grade or have qualified in a higher grade are no longer eligible to compete in the Beginner Companion Dog grade.

GROUP I - CONTROL

Group marks	50
Minimum qualifying marks for group	35

4.1.1 Heel on Lead, 10 marks

The handler will present himself at the place indicated by the Judge with his dog on lead in the heel position (i.e. sitting at heel at the handler's working side). From the start of the exercise the handler will move with his dog as directed by the Judge. The object of the exercise is to test the dog's ability to remain naturally at the handler's working side while moving at normal, fast and slow paces, around obstacles and people. The exercise will be held in the open and while performing this exercise the handler will be expected to execute left, right and about turns and halts.

The dog must work on a loose lead all the time. Any tightening or jerking of the lead or guiding with the lead will be penalised.

4.1.2 Recall to Handler, 10 marks

Upon orders from the Judge the handler will leave his dog in the "Sit" or "Down" position (at handler's choice) and move forward at Judge's direction for a distance of approximately 20m, when (*upon orders from the judge*) he will halt and about turn to face his dog.

On *further* orders from the Judge the handler will call his dog which must come smartly to the handler, and must sit straight in front of him. On orders from the Judge the handler will command his dog to the "Heel" position.

4.1.3 Send Away, 10 marks

On orders from the Judge the handler will send his dog forward from the handlers working side to an object at a distance of approximately 15m, in a direction indicated by the Judge. When the handler considers his dog has reached the place indicated by distance and direction, or as near as possible, he shall command the dog to stop *in any position*. The dog is to stop immediately and remain there until the Judge instructs the handler to recall the dog. Upon its return, the dog shall sit straight in front of his handler. On Judge's orders the handler will command the dog to the "Heel" position. The handler will not move from his place throughout the exercise without the Judge's approval.

4.1.4 Retrieve a Dumbbell, 10 marks

With the dog in the "Heel" position the handler, on orders from the Judge, will throw his dumbbell in a direction and for a distance indicated by the Judge. On further orders from the Judge the handler will send his dog to retrieve the dumbbell. The dog should go out immediately, collect the dumbbell and return to sit straight in front of the handler.

On order from the Judge the handler will take the dumbbell from the dog and on further order from the Judge command the dog to the "Heel" position. The dumbbell should be visible to the dog after it has been thrown.

4.1.5 Down Stay – Five Minutes insight 10 marks

4.1.5.1 The dogs are to remain in the "Down" position. The handlers are allowed to give a last command when instructed by the Judge to leave their dogs. The handlers will move away from their dogs and gather together at a spot determined by the Judge at a distance of at least 10 metres in front and insight of their dogs,. Extra commands from the handler when away from the dogs will be penalized by **5 marks**.

4.1.5.2 Any dog which moves from the "Down" position in the first half of the timed period shall lose all marks for the exercise. Thereafter all points deducted will be graduated.

4.1.5.3 A dog shall not be penalised for minor movement provided it does not move from the required "Down" position or move more than its own body length from its position. A dog which moves from its position more than its own body length shall lose all marks for the exercise.

4.1.5.4 There will be no test for steadiness during the exercise.

Group II - Agility

Group marks	20
Minimum qualifying marks for Group	14

Once Judging for Group II has commenced, the handler may not touch any of the obstacles. Should the handler do so, all marks for the obstacle(s) will be deducted. If the dog runs past any of the obstacles, it shall lose all marks for that obstacle.

4.1.6 "A" Frame (10 marks)

Upon orders from the Judge the handler will take up a position approximately 3m in front of the "A" Frame with his dog on the working side off lead. Upon further orders from the Judge the handler will command the dog over the "A" Frame. (The handler may move forward with the dog, but no closer than 1.5m and MUST stop immediately the command to "jump" is given). A command to the dog to stay (in any position) after landing on the far side of the "A" Frame is permitted. Upon further orders the handler will be commanded to move forward at normal pace and at the discretion of the Judge the handler will be commanded to turn left or right, and when the dog is in sight of the handler, the handler will be instructed to call his dog to "Heel". Once the dog has joined the handler the command "Halt" will be given and the exercise is finished.

A dog which does not obey the command to stay on the far side of the "A" Frame MUST be penalized While the dog is at the far side of the "A" Frame, the Judge may test the dog for steadiness by himself (or a Steward)

walking around the dog before the handler is instructed to move forward and recall his dog. Should the dog fall at the first attempt and itself initiate a successful second attempt, no marks should be deducted, if this second attempt by the dog should fail, the exercise should be terminated.

If the dog falls at the first attempt and an extra command is given by the handler to re-attempt the “A” Frame, that section of the exercise should be judged out of half marks. If this second attempt fails, the exercise should be terminated.

If the dog is recalled by the handler the exercise should be terminated.

4.1.7 **Clear Jump, 5 marks (two or more elements below the top element)**

The handler is to approach the jump with his dog off lead at “Heel”, moving at a pace of his choice. The handler will command the dog forward over the jump in his own time but before the dog reaches the jump. The dog must be ahead of the handler when the dog begins the jump. As the command is given, the handler will halt and await the Judge’s order to rejoin his dog beyond the jump. A command to the dog to “Stay” (in any position) after landing beyond the jump is permitted.

A second element must be added to the clear jump.

4.1.8 **Long Jump, 5 marks**

This jump will be done in exactly the same manner as the clear jump.

<i>Dog’s height at Withers</i>	<i>The Clear Jump</i>	<i>The Long Jump</i>	<i>“A” Frame Height</i>
<i>Under and including 25cm</i>	<i>25cm</i>	<i>60cm</i>	<i>1m</i>
<i>Over 25cm up to and including 45cm</i>	<i>35cm</i>	<i>1.2m</i>	<i>1.5m</i>
<i>Over 45cm CD</i>	<i>60cm</i>	<i>1.4m</i>	<i>1.6m</i>

Group III – NOSE WORK

Group marks 10

Minimum qualifying marks for Group 7

4.1.9 **Elementary Search, 10 marks**

Handlers must submit 3 (three) different articles to the Judge that are not brightly coloured and **which are no bigger than a tennis ball (7 x 7 x 7cm). NO BRIGHTLY COLOURED ARTICLES PERMITTED.** These articles must be submitted to the Judge when the record cards are presented. The Judge to select one that blends in with the terrain to be used for the exercise. The Judge reserves the right to supply a suitable article should none of the handler’s articles be so. The article will be given to the handler in order that dog becomes familiar with it, prior to the Elementary Search being conducted.

The handler is to scent the article.

Using an area of ground approximately 15m x 15m, which is clearly defined and which has been foiled (by being walked over by a group of handlers and dogs), the handler is to send his dog to find and bring out the article. The article is to be placed in the area by a Steward/Judge unseen by the dog and handler. The handler is not permitted to move into the defined area. The time allowed for the exercise is two (2) minutes

4.2 **COMPANION DOG**

Maximum marks 100

Minimum qualifying marks 80

Eligibility

This is the entry level to Working Trials Classic. Dogs which have qualified in a higher grade are no longer eligible to compete in the Companion Dog grade. This includes a qualification in Working Utility Dog.

Group 1 - Control

Group marks 65

Minimum qualifying marks for Group 46

4.2.1 **Heel on Lead, 10 marks**

The handler will present himself at the place indicated by the Judge with his dog on lead in the heel position (i.e. sitting at heel at the handler’s working side). From the start of the exercise the handler will move with his dog as directed by the Judge. The object of the exercise is to test the dog’s ability to remain naturally at the handler’s working side while moving at normal, fast and slow paces, around obstacles and people. The exercise will be held in the open and while performing this exercise the handler will be expected to execute left, right and about turns and halts.

The dog must work on a loose lead all the time. Any tightening or jerking of the lead or guiding with the lead will be penalised.

4.2.2 **Heel Free, 10 marks**

The exercise will be carried out in the same manner as Heel on Lead, except that the dog will be off the lead.

4.2.3 Recall to Handler, 10 marks

Upon orders from the Judge the handler will leave his dog in the "Sit" or "Down" position (at handler's choice) and move forward at Judge's direction for a distance of approximately 20m, when (upon orders from the judge) he will halt and about turn to face his dog.

On further orders from the Judge the handler will call his dog which must come smartly to the handler, and must sit straight in front of him. On orders from the Judge the handler will command his dog to the "Heel" position.

4.2.4 Send Away, 15 marks

On orders from the Judge the handler will send his dog forward from the handlers working side to an object at a distance of approximately 20m, in a direction indicated by the Judge. When the handler considers his dog has reached the place indicated by distance and direction, or as near as possible, he shall command the dog to stop in any position. The dog is to stop immediately and remain until the Judge instructs the handler to recall the dog. On return, the dog shall sit straight in front of his handler. On Judge's orders the handler will command the dog to the "Heel" position. The handler will not move from his place throughout the exercise without the Judge's approval.

4.2.5 Retrieve a Dumbbell, 10 marks

With the dog in the "Heel" position the handler, on orders from the Judge, will throw his dumbbell in a direction and for a distance indicated by the Judge. On further orders from the Judge the handler will send his dog to retrieve the dumbbell. The dog should go out immediately, collect the dumbbell and return to sit straight in front of the handler.

On order from the Judge the handler will take the dumbbell from the dog and on further order from the Judge command the dog to the "Heel" position. The dumbbell should be visible to the dog after it has been thrown.

4.2.6 Down Stay - Ten Minutes, 10 marks

4.2.6.1 The dogs are to remain in the "Down" position. The handlers will move out of sight of the dogs at the Judge's direction.

4.2.6.2 Any dog which moves from the "Down" position in the first half of the timed period shall lose all marks for the exercise. Thereafter all points deducted will be graduated.

4.2.6.3 A dog shall not be penalised for minor movement provided it does not move from the required "Down" position or move more than its own body length from its position. A dog which moves from its position more than its own body length shall lose all marks for the exercise.

4.2.6.4 The Judge shall test the dogs for steadiness by himself or a helper (Steward) moving among them at a steady pace once during the exercise.

Group II - Agility

Group marks 20

Minimum qualifying marks for Group 14

"Once Judging for Group II has commenced, the handler may not touch any of the obstacles. Should the handler do so, all marks for the obstacle(s) will be deducted."

If the dog runs past any of the obstacles, it shall lose all marks for that obstacle.

4.2.7 "A" Frame (10 marks)

Upon orders from the Judge the handler will take up a position approximately 3m in front of the "A" Frame with his dog on the working side off lead. Upon further orders from the Judge the handler will command the dog over the "A" Frame. (The handler may move forward with the dog, but no closer than 1.5m and MUST stop immediately the command to "jump" is given). A command to the dog to stay (in any position) after landing on the far side of the "A" Frame is permitted. Upon further orders the handler will be commanded to move forward at normal pace and at the discretion of the Judge the handler will be commanded to turn left or right, and when the dog is in sight of the handler, the handler will be instructed to call his dog to "Heel". Once the dog has joined the handler the command "Halt" will be given and the exercise is finished.

A dog which does not obey the command to stay on the far side of the "A" Frame MUST be penalized. While the dog is at the far side of the "A" Frame, the Judge may test the dog for steadiness by himself (or a Steward) by walking around the dog before the handler is instructed to move forward and recall his dog. Should the dog fall at the first attempt and itself initiate a successful second attempt, no marks should be deducted, if this second attempt by the dog should fail, the exercise should be terminated.

If the dog falls at the first attempt and an extra command is given by the handler to re-attempt the "A" Frame, that section of the exercise should be judged out of half marks. If this second attempt fails, the exercise should be terminated.

If the dog is recalled by the handler the exercise should be terminated.

4.2.8 Clear Jump, 5 marks

The handler is to approach the jump with his dog off lead at "Heel", moving at a pace of his choice. The handler will command the dog forward over the jump in his own time but before the dog reaches the jump. The dog must be ahead of the handler when the dog begins the jump. As the command is given, the handler will halt and await the Judge's order to rejoin his dog beyond the jump. A command to the dog to "Stay" (in any position) after landing beyond the jump is permitted.

4.2.9 **Long Jump, 5 marks**

This jump will be done in exactly the same manner as the clear jump.

Group III - Nosework

Group marks 15

Minimum qualifying marks for Group 11

4.2.10 **Elementary Search, 15 marks**

Using an area of ground approximately 15m x 15m, which is clearly defined and which has been foiled (by being walked over by a group of handlers and dogs), the handler is to send his dog to find and retrieve one (1) article supplied by the Judge, which carries the handler's scent. The article is to be placed in the area by a Steward/Judge unseen by the dog and handler. Handler is not permitted to move into the defined area. The time allowed for the exercise is two (2) minutes

4.3 **TRACKER DOG 1**

Maximum marks 200

Minimum qualifying marks 160

Eligibility. Must have qualified in Companion Dog.

Dogs which have been awarded three (3) qualifying certificates in this grade or which have been awarded a qualifying certificate in a higher grade are no longer eligible to compete in the Tracker Dog Grade 1.

Group 1 - Control

Group marks 50

Minimum qualifying marks for Group 35

4.3.1 **Heel Free, 10 marks**

The handler will present himself at the place indicated by the Judge with his dog off lead in a "Heel" position. From the start of the exercise the handler will move with his dog as directed by the Judge or Steward.

The object of the exercise is to test the dog's ability to remain naturally at the handler's working side while moving at normal, fast and slow paces, around obstacles and people, moving or stationary. The exercise will be held in the open and while performing this exercise the handler will be expected to execute left, right, about turns and halts.

4.3.2 **Send Away, 15 marks**

This exercise will be carried out as for the Companion Dog Grade except that the dog is to be sent forward a distance of approximately 30m.

4.3.3 **Retrieve a Dumbbell, 10 marks**

This exercise will be carried out as for the Companion Dog Grade.

4.3.4 **Down Stay - Ten Minutes, 10 marks**

This exercise will be carried out as for the Companion Dog Grade.

4.3.5 **Steadiness to Gunshot, 5 marks (this is not a qualifying exercise)**

Dogs are to be tested with gunshots, either individually or in small groups, off lead while either:

- a) walking at "Heel" or
- b) stationary in a "Sit" or "Down" position alongside their handlers.

The gun must be a minimum of 20m from the dogs. The calibre of the gun must be between 6mm and 9mm only. A suitable starter's pistol may be used as an alternative to a gun.

Group II - Agility

Group marks 20

Minimum qualifying marks for Group 14

"Once Judging for Group II has commenced, the handler may not touch any of the obstacles. Should the handler do so, all marks for the obstacle(s) will be deducted."

If the dog runs past any of the obstacles, it shall lose all marks for that obstacle.

4.3.6 **"A" Frame (10 marks)**

This exercise will be carried out as for the Companion Dog Grade.

4.3.7 **Clear Jump, 5 marks**

This exercise will be carried out as for the Companion Dog Grade.

- 4.3.8 **Long Jump, 5 marks**
This exercise will be carried out as for the Companion Dog Grade.

Group III - Nosework

Group marks 130

Minimum qualifying marks for Group 91

- 4.3.9 **Controlled Search, 30 marks**

Using an area of foiled ground 25m x 25m, which is clearly defined, the handler is to send his dog to find and retrieve four (4) articles with Judge's/Steward's scent placed in the area unseen by the dog and handler. Time allowed for the exercise is five (5) minutes with dog finding a minimum of two (2) articles to qualify. Handler may not enter the defined area. Six (6) marks will be awarded for each of the four (4) articles retrieved and six (6) marks for Control.

- 4.3.10 **Leash Track**

90 marks for Track

5 marks for recognition of each article (2) by dog. (Total 10 marks.)

Total 100 marks

The dog MUST find one (1) article to qualify.

The track is to be approximately 600m long and approximately thirty (30) minutes old. A marker at the tracklayer's scent pad will indicate the start of the track and another marker will be placed by the tracklayer 30m from the start to indicate the direction of the first leg. The track shall include a maximum of four (4) turns and not more than one (1) turn shall be less than 90 degrees. Two articles shall be placed on the track, the first article shall not be placed on a corner, or on the last leg. The last article will be placed at the end of the track.

If a dog, having begun to track, loses the track the Judge, at his discretion, may direct the handler to return the dog to a specific point on the track where the dog has already been on track and to recommence tracking from that point. A dog shall not be given the second attempt if it has reached the last turn or beyond when it loses the track and it shall not be given such an attempt more than once on a track.

When the Judge directs a second attempt at a track he shall penalise the dog five (5) marks for every leg of the track which the dog had not completed when the second attempt was ordered.

- 4.4 **TRACKER DOG II**

Maximum marks 250

Minimum qualifying marks 200

Eligibility. Must have qualified TDI

Dogs which have been awarded three (3) qualifying certificates in this grade are no longer eligible to compete in the Tracker Dog Grade II.

Group 1 - Control

Group marks 50

Minimum qualifying marks for Group 35

- 4.4.1 **Heel Free, 10 marks**

This exercise will be carried out as for the Tracker Dog Grade 1.

- 4.4.2 **Send Away, 15 marks**

This exercise will be carried out as for the Companion Dog Grade except that the dog is to be sent forward a distance of approximately 40m.

- 4.4.3 **Retrieve a Dumbbell, 10 marks**

This exercise will be carried out as for the Companion Dog Grade.

- 4.4.4 **Down Stay - Ten minutes, 10 marks**

This exercise will be carried out as for the Companion Dog Grade.

- 4.4.5 **Steadiness to Gunshot, 5 marks (this is not a qualifying exercise)**

This exercise will be carried out as for the Tracker Dog Grade 1.

Grade II - Agility

Group marks 20

Minimum qualifying marks for Group 14

- 4.4.6 "A" Frame (10 marks)

This exercise will be carried out as for the Companion Dog Grade.

- 4.4.7 **Clear Jump, 5 marks**

This exercise will be carried out as for the Companion Dog Grade.

- 4.4.8 **Long Jump, 5 marks**

This exercise will be carried out as for the Companion Dog Grade.

Group III - Nosework

Group marks 180
Minimum qualifying marks for Group 126

4.4.9 **Controlled Search, 30 marks**

This exercise will be carried out as for the Tracker Dog Grade 1.

4.4.10 **Leash Track**

120 marks for track

15 marks for recognition of each article (2) by dog. (Total 30 marks).

TOTAL MARKS 150

The track is to be approximately 800m long and approximately ninety (90) minutes old. A single marker will indicate the start of the track. Two (2) different kinds of article will be dropped on the track, the second being at the end of the track. The dog must find at least one (1) article to qualify. No recast permitted.

The track should be more difficult than the Tracker Dog Grade I track. Turns may be less than 90 degrees.

4.5 **TRACKER DOG III**

Maximum marks 315

Minimum qualifying marks 252

Group I - Control

Group marks 50

Minimum qualifying marks for group 35

4.5.1 **Heel Free, 10 marks**

This exercise will be carried out as for the Tracker Dog Grade I.

4.5.2 **Send away and Redirection, 25 marks**

On orders from the Judge the handler will send his dog forward from the "Heel" position to an object at a distance of approximately 50m in a direction indicated by the Judge. When the dog has reached the required distance he must be stopped and redirected by the handler, in a direction (left or right) previously indicated by the Judge, to an object at a distance of approximately 20m. The exercise ends when the dog has reached the second location or, if the dog fails to do so, on orders from the Judge. The handler will not move from his place throughout the exercise without the Judge's approval.

4.5.3 **Down Stay - Ten minutes, 10 marks**

This exercise will be carried out as for the Companion Dog Grade.

4.5.4 **Steadiness to Gunshot, 5 marks (this is not a qualifying exercise)**

This exercise will be carried out as for the Tracker Dog Grade I.

Group II - Nosework

Group marks 265

Minimum qualifying marks for group 186

4.5.5 **Controlled Search, 35 marks**

This exercise will be carried out as for the Tracker Dog Grade I. Search marks 7 for each article (four (4) articles): 7 control. Total 35.

4.5.6 **SEARCH & IDENTIFY ARTICLE, 35 marks** (article MUST be found to qualify).

The object of this exercise is for the dog to find the article.

Search 20 marks

Finding article 10 marks

Barking 5 marks

The area must be clearly demarcated (but not necessarily by poles/flags).

The article may be placed anywhere within the boundary lines.

A well-defined area of natural ground, approximately 100m by 100m will be used for this exercise which may be walked and cleared by the competitors (dogs are allowed). This is at the discretion of the Judge.

A dog must be able to move and scent freely over the ground. In this area, at a place chosen by the Judge, an article will be suitably placed. The article will be a large object, not easily retrievable. The article will be so placed among natural cover as to be not readily visible to the handler or dog except at close range e.g. 3m. The article will not be buried or totally concealed.

The Judge will indicate the boundaries of the area to the handler and will indicate from which side of the area he is to begin the exercise. The handler must remain approximately on the centre line running through the area from the starting point. It is permissible for the handler to direct the dog to ensure a thorough search but excessive commands not obeyed will be penalised (by a maximum of 2 marks for the whole exercise); the Judge using his discretion according to prevailing conditions. When the dog finds the article it must bark to attract the handler.

The dog must not bite or worry the article. A maximum of 5 marks will be deducted for biting or worrying the article.

The article may not contain food or carry the scent of food.

The article may not consist predominantly of metal.

A maximum time of ten (10) minutes is allowed.

Once the handler has reached the base line on the far side of the area he may turn round and come back on the centre line and continue the search with the dog if time allows. At the third incorrect indication by the handler of the dog finding the article the exercise will be terminated.

4.5.7 **Leash Track**

150 marks for track

15 marks for recognition of each article (3) by dog. (Total 45 marks).

TOTAL MARKS 195

The track is to be approximately 800m long and approximately three (3) hours old. NO TRACK may have more than 11 LEGS. One (1) marker or a small marked area will be used to indicate the start of the track, at the discretion of the Judge. If an area is used it must be clearly defined and must not be larger than 5m by 5m. Three (3) different kinds of article will be dropped on the track, the third being at the end of the track. The dog must find at least two (2) articles to qualify. No recast permitted.

A cross track may be permitted at the discretion of the Judge. A dog can become a Champion through his successes in completing these exercises and the track must be of sufficient complexity to warrant this status.

4.6 **POLICE DOG**

Maximum marks 460

Minimum qualifying marks 368

Eligibility. Must have qualified in TDII.

Group I - Control.

Group marks 60

Minimum qualifying marks for group 42

4.6.1 **Heel Free, 10 marks**

This exercise will be carried out as for the Tracker Dog Grade I.

4.6.2 **Send Away and redirection, 25 marks**

This exercise will be carried out as for the Tracker Dog Grade III.

4.6.3 **Down Stay - Ten minutes, 10 marks**

This exercise will be carried out as for the Companion Dog Grade.

4.6.4 **Steadiness to Gunshot, 15 marks (minimum qualifying points, 10)**

Dogs are to be tested with gunshots, either individually or in small groups, off lead while either:

a) walking at "Heel" or

b) stationary in a "Sit" or "Down" position alongside their handlers.

The gun must be a minimum of 20m from the dogs. The calibre of the gun must be between 6mm and 9mm only. A suitable starter's pistol may be used as an alternative to a gun.

Group II - Agility

Group marks 20

Minimum qualifying marks for group 14

"Once Judging for Group II has commenced, the handler may not touch any of the obstacles. Should the handler do so, all marks for the obstacle(s) will be deducted."

If the dog runs past any of the obstacles, it shall lose all marks for that obstacle.

4.6.5 **"A" Frame 10 marks (Scale 3, Stay 2, Return 5)**

Upon orders from the Judge the handler will take a position approximately 3m in front of the "A" Frame with his dog on the working side off lead. Upon further orders from the Judge, the handler will command his dog over the "A" Frame. (The handler may move forward with the dog, but no closer than 1.5m and MUST stop immediately the command to "jump" is given). A command to the dog to stay (in any position) after landing on the far side of the "A" Frame is permitted. The handler will not move from his position after giving the command to jump. A dog which does not stay, whether before or after such a command, must be penalised. While the

dog is at the far side of the "A" Frame the Judge may test the dog for steadiness by himself (or a Steward) walking around the dog before the handler is ordered to recall his dog. Upon orders from the Judge the handler will command his dog to return over the "A" Frame. After returning over the "A" Frame the dog is to sit straight in front of his handler before being commanded to the "Heel" position on Judges orders.

4.6.6 **Clear Jump, 5 marks**

This exercise will be carried out as for the Companion Dog Grade.

4.6.7 **Long Jump, 5 marks**

This exercise will be carried out as for the Companion Dog Grade.

4.6.8 **Group III - Nosework**

Group marks 180

Minimum qualifying marks for Group 126

4.6.9 **Controlled Search, 30 marks**

This exercise will be carried out as for the Tracker Dog Grade 1.

4.6.10 **Leash Track**

120 marks for track

15 marks for recognition of each article (2) by dog. (Total 30 marks).

TOTAL MARKS 150

This exercise will be carried out as for the Tracker Dog Grade II.

The track for the Police Dog Grade must be of less complexity than for the Tracker Dog Grade III.

Group IV - Police Work

Group marks 200

There are no minimum qualifying marks for the group but there are minimum qualifying marks for each exercise, as shown.

4.6.11 **Quartering Search, 50 marks (Quartering 25 marks, food refusal 15 marks, barking 10 marks)**

Minimum qualifying marks 35

If the dog bites the hidden person it will be seriously penalised. A well defined area of ground, not exceeding approximately 200m by 200m, will be used for this exercise. The Judge will indicate the boundaries of the area to the handler before the start of the exercise.

The hidden person is to conceal himself within the area as directed by the Judge and must remain concealed until found by the dog, or otherwise instructed by the Judge. The handler is to enter the area with his dog at a point indicated by the Judge and must systematically quarter the area. He must not move ahead of his dog at any time and must ensure that ground is cleared by his dog before he moves into or beyond it. When the dog actually sees the hidden person it must bark spontaneously to attract the handler and must continue barking until the handler comes up to the dog and commands it to stop barking. The handler may not command the dog to bark. The hidden person will offer the dog food when the dog comes near him and before the handler joins the dog. The food may be offered by hand, in a container or by being thrown to the ground. Any form of solid food may be used. The hidden person will not touch or attempt to touch the dog. A maximum time of ten (10) minutes is allowed.

4.6.12 **Test of Courage, 45 marks**

Minimum qualifying marks 32

This is a test of courage rather than a test of handler's control. The dog is to be tested while with its handler, either on or off the lead, at the Judge's discretion. The method of testing is to be at the discretion of the Judge. The primary objective of this exercise is for the dog to display its courage and not its ability to apprehend the assailant. The assailant shall use only an approved weapon (Regulation 2.11). No dog shall be struck except as indicated in "Guide for Judges".

4.6.13 **Recall from running person, 45 marks**

Minimum qualifying marks 32

The essence of this exercise is control. The handler is to be provoked by the assailant prior to running in a direction previously indicated by the Judge. The handler is permitted to hold the dog by the collar during the provocation. The person must have covered at least 50m before the handler is permitted to send his dog. The dog is to be stopped and recalled when it reaches a distance of at least halfway between the handler and the running person. A dog which does not cease the pursuit before reaching the assailant and return to the handler when commanded to must fail the exercise. Disobedience to the recall command and extra commands must be penalised. The assailant must continue running until instructed to stop by the Judge.

4.6.14 **Pursuit and detention of assailant followed by search and escort, 60 marks**

Minimum qualifying marks 42

The Judge is to assess the ability of the dog to pursue and effectively detain a running person. The assailant must continue to attempt to escape until the Judge is satisfied that the dog and handler have succeeded in preventing the escape of the assailant who must then stand perfectly still. Circling by the dog is not deemed an effective method of detention. The dog must then release the assailant on command from the handler or if the assailant stands still. Extra commands to release will be severely penalised. Any dog, which in the opinion of the Judge, fails to detain the assailant will forfeit all marks gained in the "recall from running person" exercise. At the end of the pursuit and detention exercise the handler must search the assailant and then, with his dog off the lead, escort the assailant as directed by the Judge for approximately 50m. During the search, the handler must position his dog judiciously, control his dog at all times, and show that he is able to search the assailant thoroughly without placing himself in danger.

The search should not be done in such a way as to embarrass the assailant and spectators or endanger the assailant. Not more than two (2) weapons may be concealed on the assailant. During the escort the handler is to ensure that his dog is so placed as to be ready to defend the handler and to prevent any attempt at escape by the assailant.

4.7 **Veterans Trial**

Maximum marks 300

Minimum qualifying marks 240

Eligibility

This Trial is open to any dog aged seven (7) years or more at the date of the Trial, which has previously attained at least one (1) of the qualifications TDI, TDII, TDIII, PD,FCI-IGP1, FCI-IGP2, FCI-IGP3.

Group I - Control

Group marks 50

Minimum qualifying marks for Group 35

4.7.1 **Heel Free, (10 marks)**

This exercise will be carried out as for Tracker Dog Grade I.

4.7.2 **Send away and redirection, 25 marks**

This exercise will be carried out as for Tracker Dog Grade III except:

4.7.2.1 after the initial sending forward for approximately 50m and stopping, the dog must be recalled by the handler in the reverse direction for 25m and stopped,

4.7.2.2 the dog is again sent forward in the original direction approximately 25m and again stopped,

4.7.2.3 the dog is then redirected by the handler in a direction previously indicated by the Judge, either to left or to right, for a distance of approximately 20m and stopped,

4.7.2.4 the dog is again redirected by the handler in the direction reverse to that in 4.6.2.3 (i.e. if the dog was first redirected to the left it is now redirected to the right and vice versa) for a distance of approximately 20m.

4.7.3 **Down Stay - Ten minutes, 10 marks**

This exercise will be carried out as for the Companion Dog Grade.

4.7.4. **Speak on Command, 5 marks**

On orders from the Judge the handler will leave his dog in the "Sit" position, move forward ten (10) paces, halt and turn about to face the dog. On further orders from the Judge the handler is to command his dog "Speak" and the dog must commence barking and continue without further command until stopped by the handler on orders from the Judge.

Group II - Nosework

Group marks 250

Minimum qualifying marks for group 175

4.7.5 **Controlled Search, 40 marks (dropped articles 5 marks each, buried articles 15 marks each)**

This exercise will be carried out as for the Tracker Dog Grade I except that two (2) of the four (4) articles will be buried just below the surface of the ground instead of being dropped.

4.7.6 **Quartering Search, 50 marks (quartering 30 marks, food refusal 10 marks, speaking 10 marks)**

This exercise will be carried out as for the Police Dog Grade.

4.7.7 **Leash Track**

140 marks for track

10 marks for recognition of each article (2) by dog. (Total 20 marks).

TOTAL MARKS 160

The track is to be approximately 800m long and approximately two (2) hours old. From a marked out area approximately 25 x 25 paces, two (2) tracklayers will emerge and walk together for thirty (30) paces before separating. Each will then lay an identically patterned track with articles but going in opposite directions. At about half way, the two (2) tracklayers will cross each other's tracks and continue again in opposite direction for the remainder of the track. The first article will be dropped by each tracklayer before the crossing of the tracks and the second article will be dropped at the end of each track. The dog will be taken to the marked out area to

pick up the scent of the tracklayers which he will follow until the separating point is reached. The dog must then follow one (1) track. Where the two (2) tracks cross each other the dog must continue to follow the same track and ignore the other. The dog must find both articles to qualify.



Copyright The Kennel Union of Southern Africa.

All rights reserved. No part of this publication may be reproduced, stored in a retrieval system or transmitted in any form or by any means, electronic, mechanical, photocopying, recording or otherwise without permission in writing from the publisher.

FEDCO 05-07 AA 05-07

FEDCO 12-2013/NP/Updated 13.01.2014

FEDCO 12-2016/SAT/Updated 02.02.2017

FEDCO 06-2017/AB/Updated 16.01.2018

FEDCO 12-2017/SAT/Updated 08.02.2018

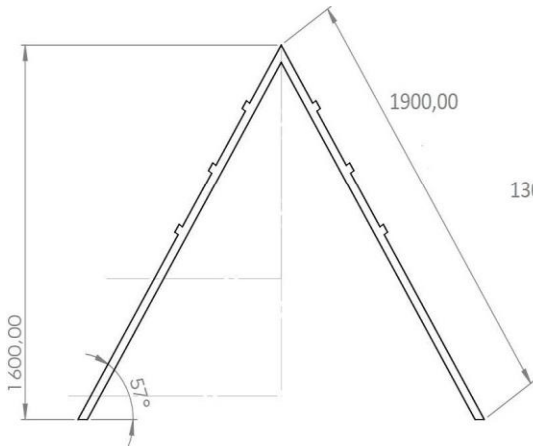
FEDCO 06-2018/AB/Updated 05.10.2018

FEDCO 12-2019/SAT/Updated 26.02.2020

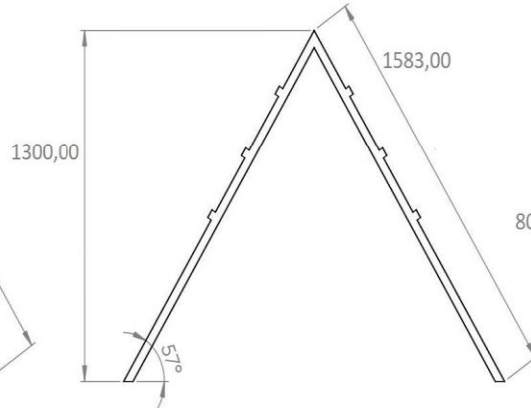
FEDCO 12-2020/AB/Updated 18.12.2020

Most recent changes to this Schedule has an effective date of 01.04.2021

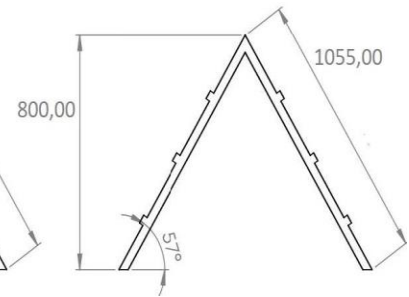
APPENDIX A WORKING TRIALS A FRAME DIMENSIONS CD & WUD



OVER 45 CM

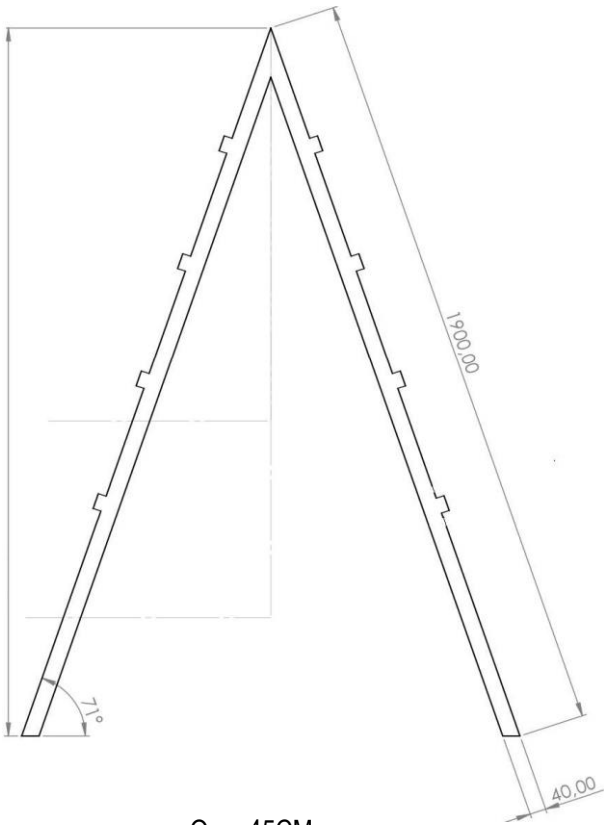


OVER 35CM UP TO & INCLUDING 45CM

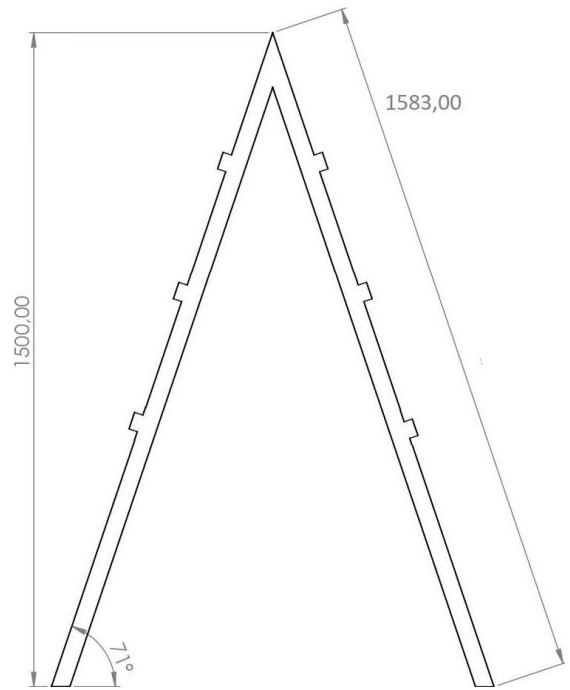


UNDER & INCLUDING 35CM

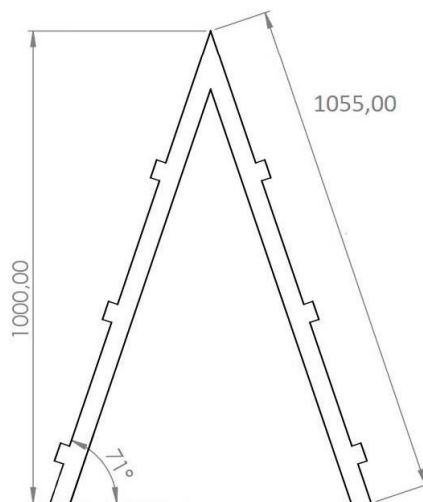
APPENDIX B
WORKING TRIALS A FRAME DIMENSIONS
TDI, TDII & POLICE DOG



Over 45CM



OVER 35CM UP TO & INCLUDING 45CM



UNDER & INCLUDING 35CM

